

AYLESFORD PARISH COUNCIL

REPLACEMENT FITNESS EQUIPMENT AT TUNBURY RECREATION GROUND

Members have previously agreed that following the recent vandalism to the Skier at Tunbury which has been the subject of previous vandalism that the Council should look to replacing this item with a new piece of equipment which would be less prone to vandalism. Quotes have been sought from the following companies, including Caloo the existing provider, asking them to suggest 3 alternatives and to give prices. The details of the quotes are

Caloo

Caloo have suggested 3 options and pictures of these are attached to this report

Arm Bike - £1380.50 including installation

Exercise Bars - £1380.50 including installation

Cardio Boxes - £1380.50 including installation

Hags UK

Hags have suggested 3 options and pictures of these are attached to this report

Leg Stretch - £1600 including installation

Arm Swirl - £1680 including installation

Double Pull Up - £2055 including installation

Kompan

Kompan visited the site and met with some users of the equipment and following discussions with them came forward with one option a picture of which is attached and is a Combination Street work out incorporating a number of different workouts. The price for this piece of equipment is £4331.54.

Wicksteed

Wicksteed have suggested 3 options and pictures of these are attached to this report

Sit up Bench – 2695.10

Pull Up Bar – 2372.90

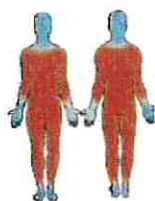
Dip Bar – 2102

Caloo Limited, Unit 9A, Triangle Business Park, Stoke Mandeville,
Buckinghamshire, HP22 5BL, United Kingdom.
Tel: +44 (0)1296 614448 Email: info@caloo.co.uk

Caloo Workout - CW35 Arm Bike



Unit Dimensions (mm) LxWxH : 1010x755x1320



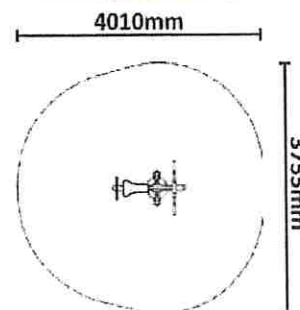
Suitable for
users over
1400mm tall.



Certified by
TUV to
EN 16630

Unit Free Fall Height : 848mm
Area Needed: 4010mm x 3755mm

Safety Spacing



This unit provides a full body cardio workout and helps to build stamina.
The user can use both arms and legs simultaneously.

The Caloo workout Range features individual fitness stations which offer an environmentally friendly outdoor fitness facility. Each unit is designed to target a specific muscle group, creating a variety of activities which can create a full body workout or aid recuperation after accident or illness. Caloo Workout units are available in three attractive colour combinations : blue and silver, green and silver or red and yellow.

(Surface diagram to scale 1:100 on A4)
(User diagram shows unit with a 1.8m tall adult)



Caloo Limited, Unit 9A, Triangle Business Park, Stoke Mandeville,
Buckinghamshire, HP22 5BL, United Kingdom.
Tel: +44 (0)1296 614448 Email: info@caloo.co.uk

Caloo Workout - CW07 Exercise Bars



Unit Dimensions (mm) LxWxH : 2110 x 610 x 1580

Certified by TUV to EN 16630

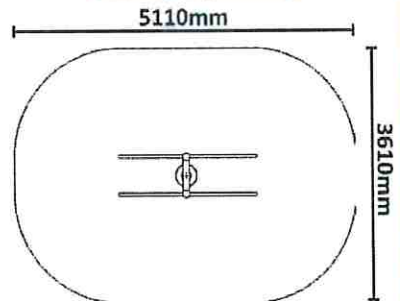


Suitable for users over 1400mm tall.

Unit Weight : 61kg
Unit Free Fall Height : 1490mm
Area Needed: 5110mm x 3610mm



Safety Spacing



This unit can be used for tricep dips and standing press-ups - a great way to develop strong triceps whilst also working on the chest.

The Caloo workout Range features individual fitness stations which offer an environmentally friendly outdoor fitness facility. Each unit is designed to target a specific muscle group, creating a variety of activities which can create a full body workout or aid recuperation after accident or illness. Caloo Workout units are available in three attractive colour combinations : blue and silver, green and silver or red and yellow.

(Surface diagram to scale 1:100 on A4)
(User diagram shows unit with a 1.8m tall adult)



Caloo Limited, Unit 9A, Triangle Business Park, Wendover Road, Stoke Mandeville, Buckinghamshire, HP22 5BL
 Tel: +44 (0)1296 614448 Email: info@caloo.co.uk



Caloo Workout - CW67 Cardio Boxes

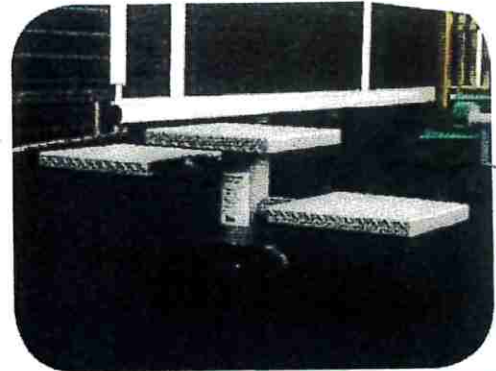
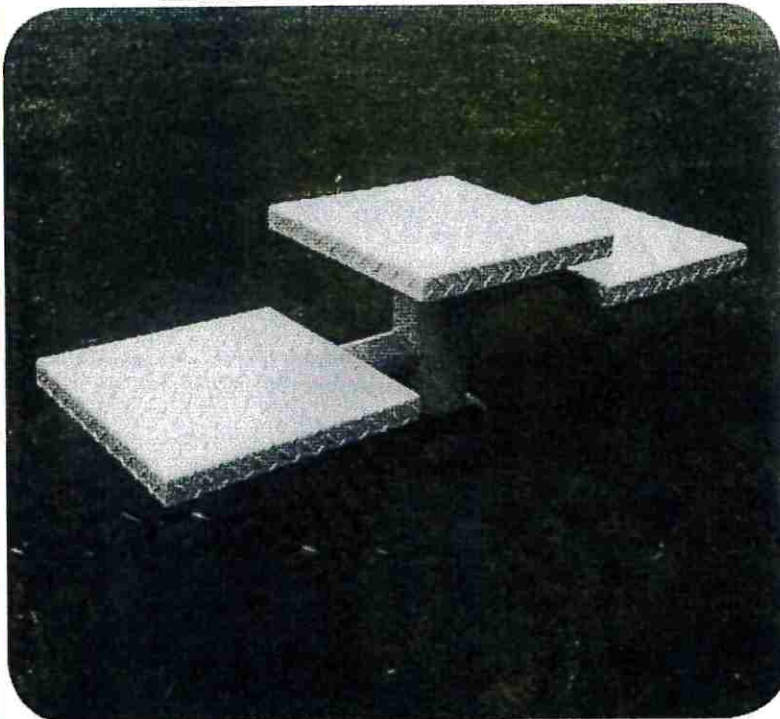
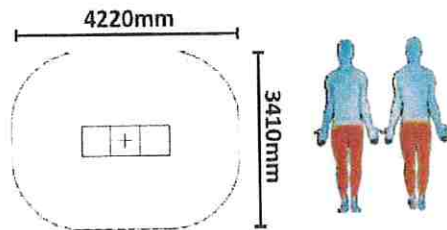
Suitable for users over 1400mm tall.

Certified by TUV to EN 16630



Safety Spacing

Unit Free Fall Height: 425mm
 Area Needed: 4220mm x 3410mm



This unit provides a great cardio workout and targets the calves, quads and glute muscles.

The Caloo workout Range features individual fitness stations which offer an environmentally friendly outdoor fitness facility. Each unit is designed to target a specific muscle group, creating a variety of activities which can create a full body workout or aid recuperation after accident or illness.

(Surface diagram to scale 1:100 on A4)
 (User diagram shows unit with a 1.8m tall adult)

HAGS®

Inspiring all generations

Quotation

HAGS - SMP Playgrounds LTD 01757 293404

Aylesford Parish Council - Turbury Recreation Ground x3 Options		R7196(rev)	DATE	22/02/2021	
DESCRIPTION		QTY	UNIT	RATE	TOTAL

Option 1

Remove the Skier - Supply and install a Leg Stretch making the turf good on completion

Please Note: This unit requires a safety area of 12sqm



FS007N(002)	1	each	£535.00	£535.00
TECH005	8	each	£30.00	£240.00
I&MCONTRACTSS	1	each	£825.00	£825.00
			Total	£1,600.00

Option 2

Remove the Skier - Supply and install a Arm Swirl making the turf good on completion

Please Note: This unit requires a safety area of 11.25sqm

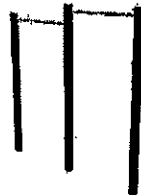


FS034(002)	1	each	£615.00	£615.00
TECH005	8	each	£30.00	£240.00
I&MCONTRACTSS	1	each	£825.00	£825.00
			Total	£1,680.00

Option 3

Remove the Skier - Supply and install a Double Pull Up making the turf good on completion

Please Note: This unit requires a safety area of 19sqm



FS502-100(109)	1	each	£840.00	£840.00
TECH005	13	each	£30.00	£390.00
I&MCONTRACTSS	1	each	£825.00	£825.00
			Total	£2,055.00

This quotation is valid for 90 days

Prices based on unrestricted access with vehicle (large transit / tipper) access within 30 mtrs of site entrance

Prices given subject to full site survey

Errors & Omissions Excluded HAGS-SMP Ltd General Conditions of Sale apply

All rates and prices quoted are based on full job specification. If specification alters or quantities change the prices will alter

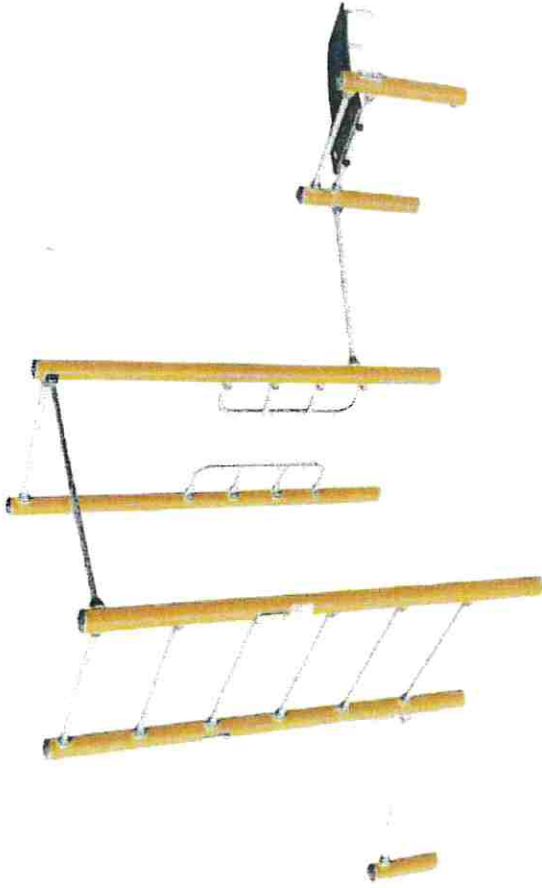
PLEASE NOTE THE ABOVE PRICES DO NOT INCLUDE VAT

Combi 2

FSW102



Item no. FSW10201-0901
General Product Information
Dimensions LxWxH 450x344x240 cm
Age group 13+
Capacity (users) 5
Colour options



See KOMPANI Fit app for more



The Bench provides perfect training for the core and lower-back muscles by doing exercises such as leg lifts and sit ups. Easy grips are created to make sure anyone can do the exercise in a correct way. Compact and complete streetworkout combination featuring an incline bench, push up bar, decline press, horizontal ladder and pull up station. The

bar for a variety of Pull Ups.

Combi 2 is suitable for pro's to beginners, with both cleverly placed bars to determine difficulty level, and clean workout space for advanced training. The Pull Up Bar is made from solid steel and has a diameter of Ø32 mm. An ideal size for both men and women to have a good grip. As the Bar hangs at a height of 233 cm everyone will be able to hang freely and use the



Data is subject to change without prior notice.

